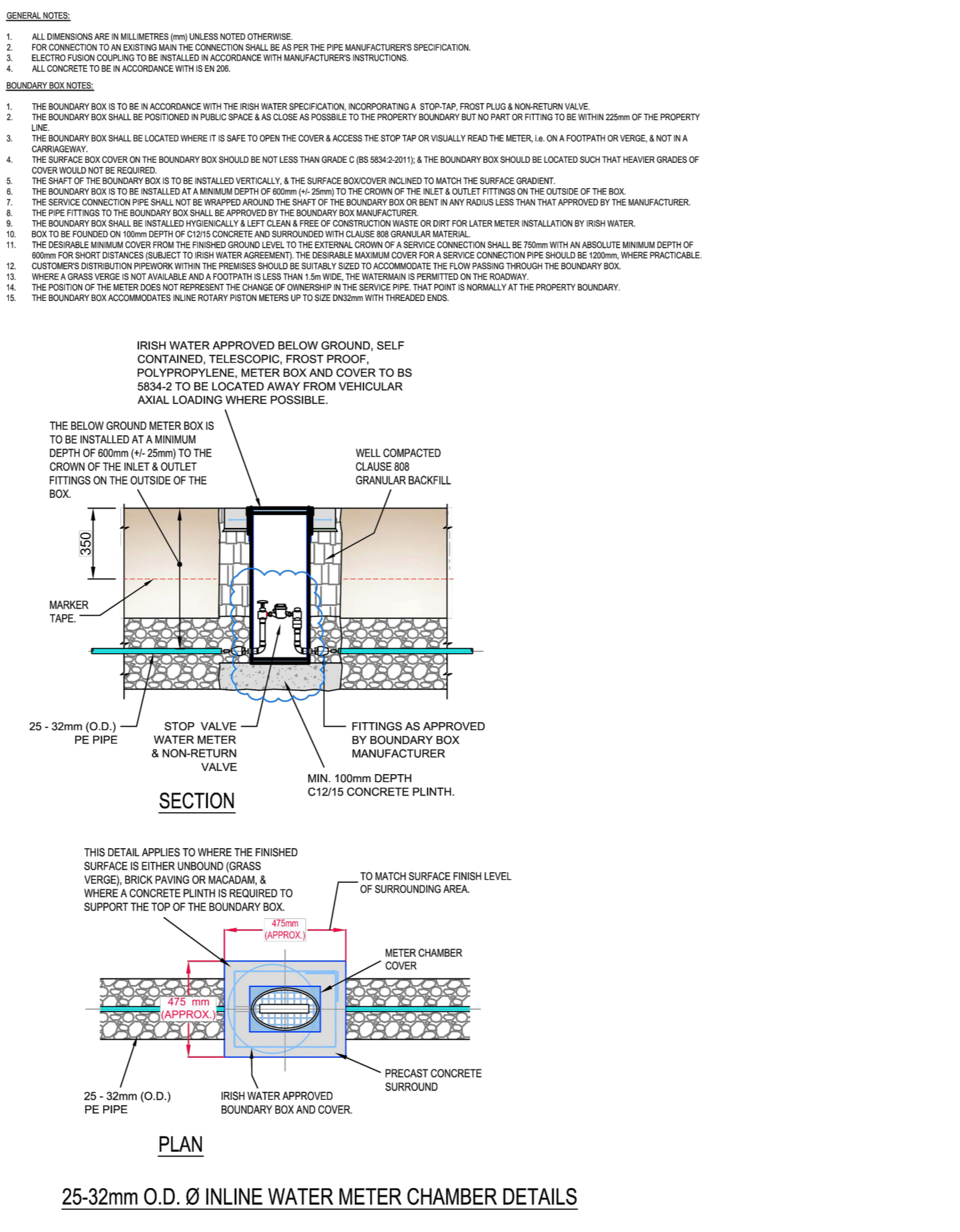
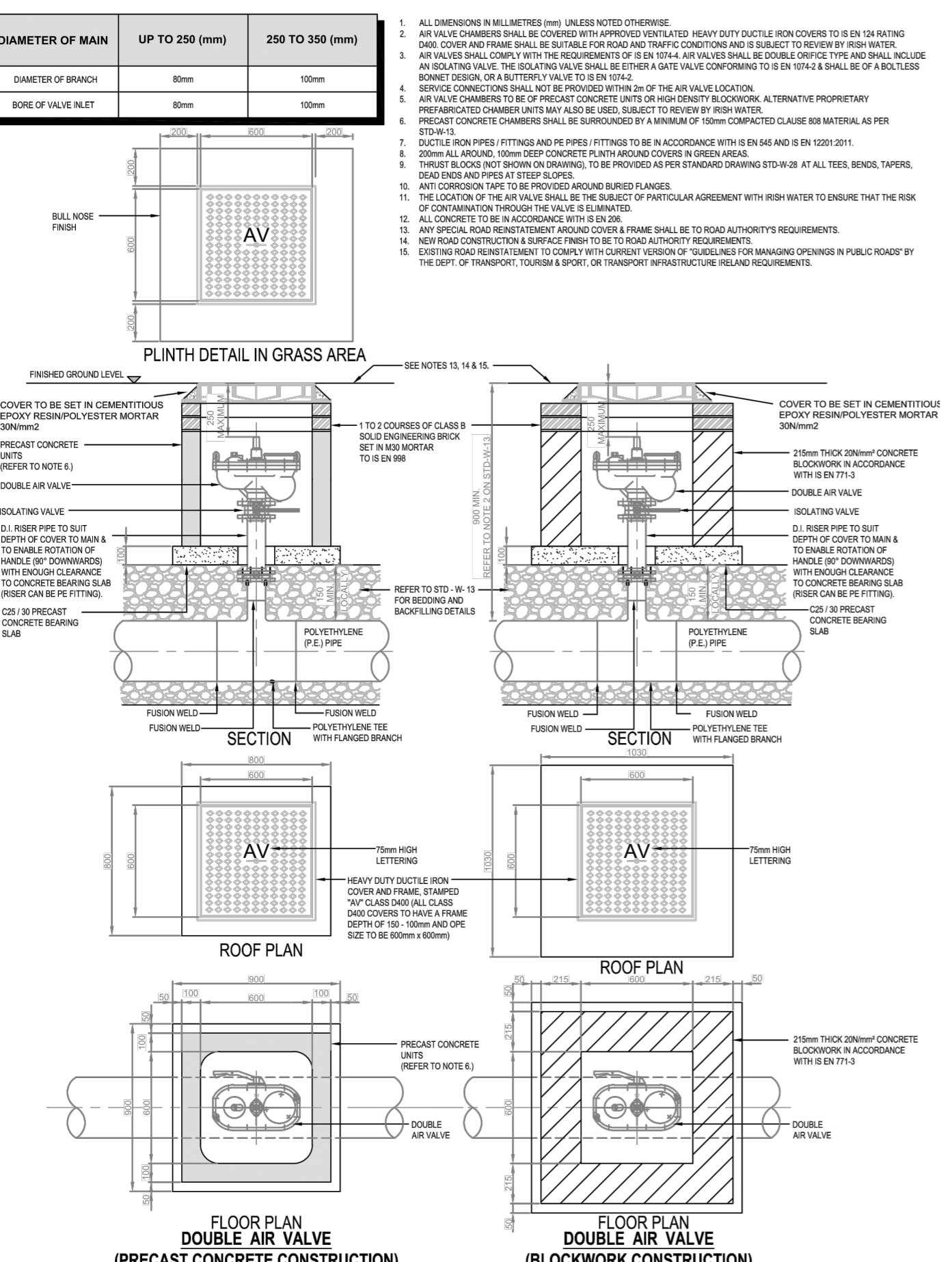


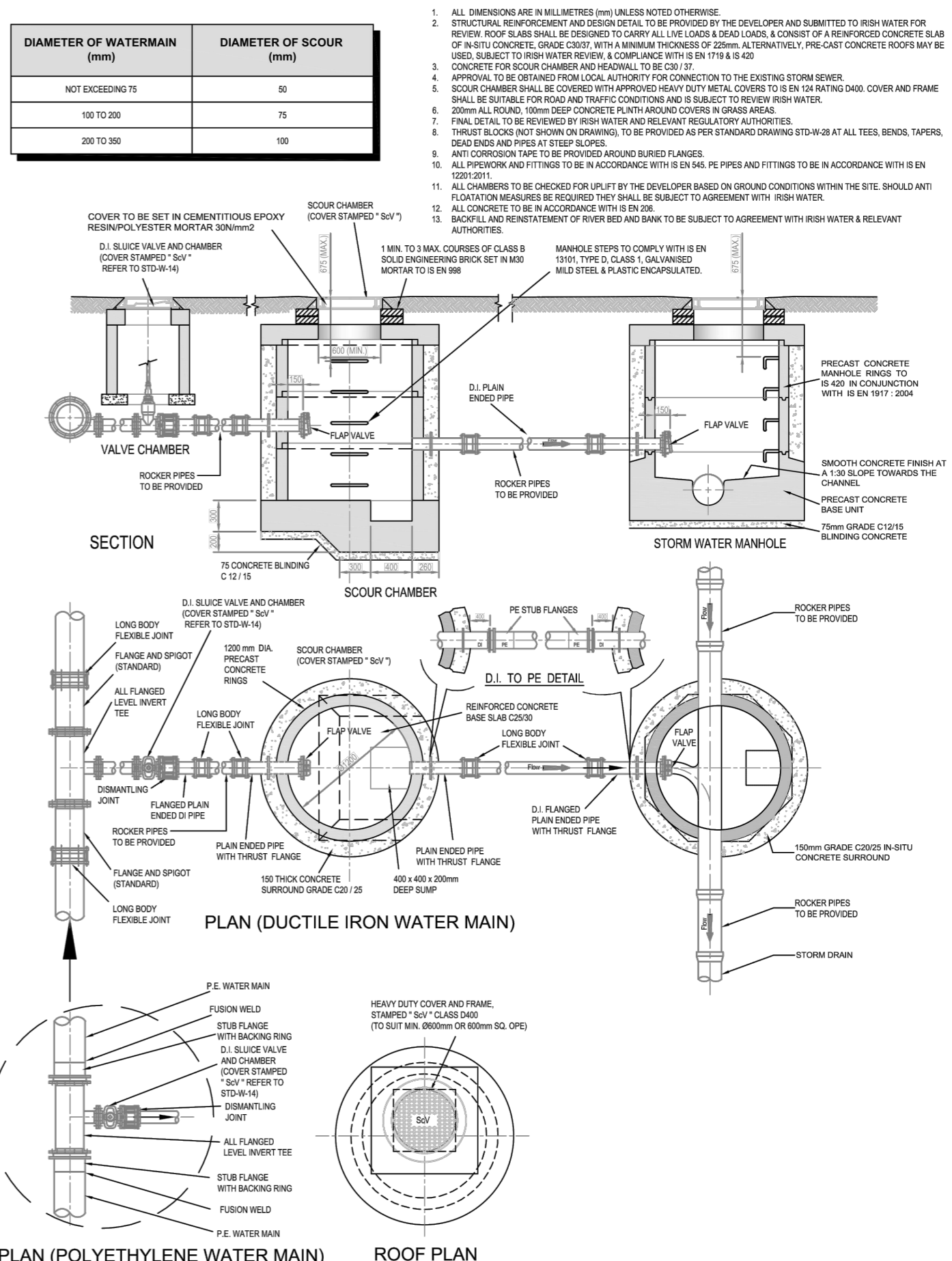
STD-W-18 ON-LINE HYDRANT FOR POLYETHYLENE (P.E.) PIPE. NTS

STD-W-19 OFF-LINE HYDRANT FOR POLYETHYLENE (P.E.) PIPE. NTS

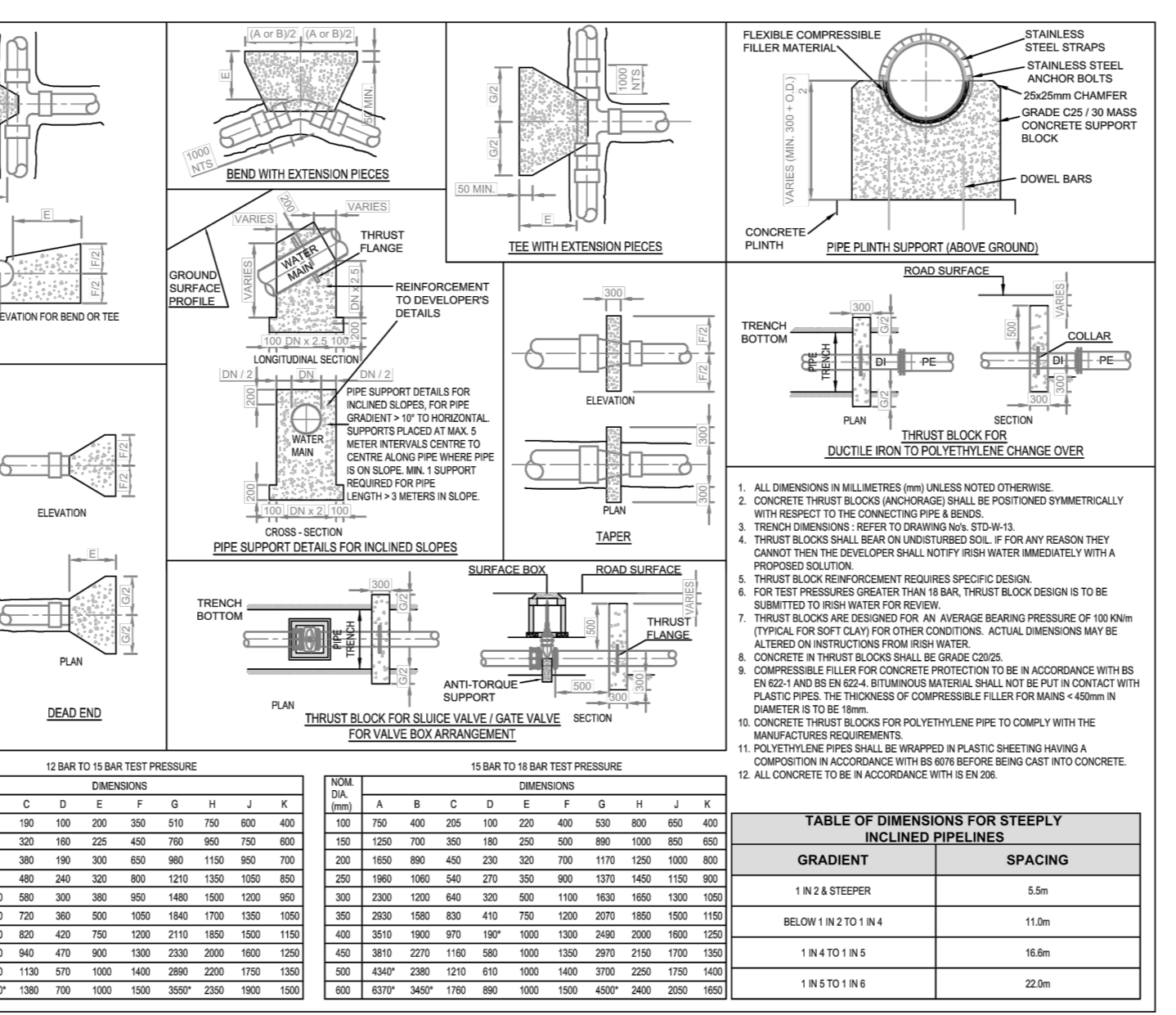
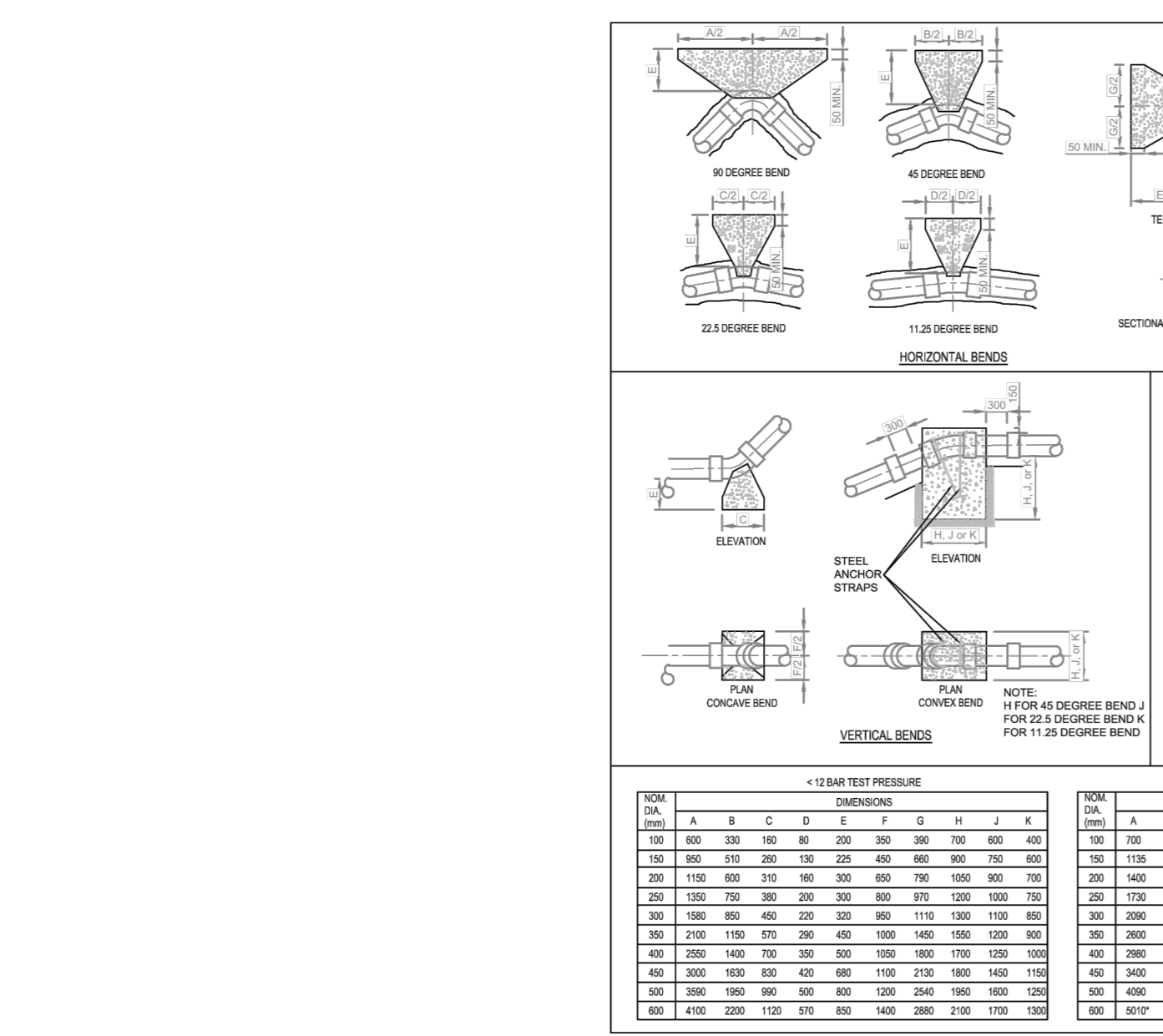


STD-W-22 ON-LINE AIR VALVE FOR POLYETHYLENE (P.E.) PIPE. NTS

STD-W-26G INLINE FLOW METER CHAMBER (25-32mm O.D. DIA.). NTS



STD-W-30B SCOUR CHAMBER TO STORM SEWER ARRANGEMENTS. NTS



STD-W-28 WATER MAIN THRUST AND SUPPORT BLOCKS. NTS

STD-W-30B SCOUR CHAMBER TO STORM SEWER ARRANGEMENTS. NTS

**PLANNING DRAWING.**  
NOT FOR CONSTRUCTION.  
ALL LEVELS GIVEN ARE RELATIVE TO ORDNANCE DATUM.  
THIS DRAWING HAS BEEN ISSUED FOR INFORMATION PURPOSES ONLY AND MUST NOT BE USED FOR CONSTRUCTION UNDER ANY CIRCUMSTANCES

<b>NOTES</b> 1. For setting out refer to Architect's drawings. 2. This drawing to be read in conjunction with all other Architectural and Engineering drawings and all other relevant drawings and Specifications. 3. DO NOT SCALE THIS DRAWING. Use figured dimensions only. 4. No part of this document may be reproduced or transmitted in any form or stored in any retrieval system of any nature without the written permission as copyright holder except as agreed for use on the project for which the document was originally issued. 5. Ordnance Survey Ireland Licence Number EN 0074022		Rev. No. P1 Date 03.06.2022 REVISION NOTE ISSUED FOR PLANNING	Dm. By IK Chkd. By FDB	Architect Henry J. Lyons Project Proposed Developments On The Belgard Square East. Title Watermain Details Sheet 2 of 2 Dwg. No. Q003-CSC-ZZ-XX-DR-C-0025 Date May 2022	CS Consulting Group DUBLIN   LONDON   LIMERICK Head Office 19-22 Dame Street, Dublin 2. T: +353 (0)1 5480863 e: info@csconsulting.ie www.csconsulting.ie Quality Environment Health & Safety ISO 9001:2008 ISO 14001:2004 ISO 50001:2011 OHSAS 18001:2007
---	--	---	---------------------------	---	---